



Scan for more information

PA-06

User Manual

Table of Contents

Specifications.....	3
Dimensions.....	4
Speed/Current vs Load.....	5
Connectors & Feedback.....	6
Mounting Brackets.....	7

Have any queries? Our expert engineers are here to help!



sales@progressiveautomations.com



1-800-676-6123



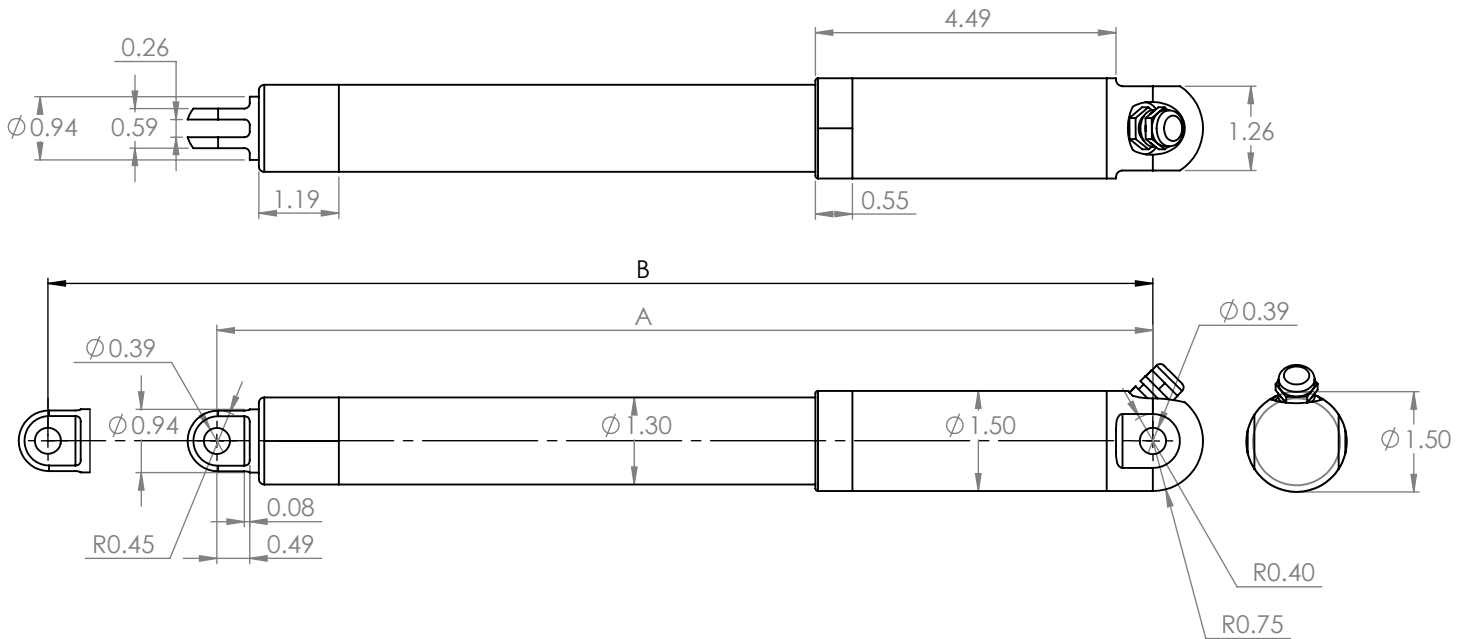
progressiveautomations.com

Specifications

Load (LBS)		No Load Current (A)		Full Load Current (A)		Speed (inch/sec)	
Dynamic	Static	12VDC	24VDC	12VDC	24VDC	No Load	Full Load
22	33	0.6	0.3	2.5	1.3	1.38	1.18
180	360	0.6	0.3	3.7	1.8	0.47	0.31

Stroke	2" to 24"
Limit Switch	Internal - Non-Adjustable
Limit Switch Feedback	N/A
Screw Type	Trapezoid Screw
Motor Type	Brushed DC Motor
Connector Type	See Page 6
Wire Length	59" (customizable)
Housing Material	6063 Aluminum
Rod Material	304 Stainless Steel
Gear Material	Polyformaldehyde
Color (Shaft)	Black
Color (Motor End)	Black
Noise	<60dB
Duty Cycle	10% (2 minutes on, 18 minutes off)
Operational Temperature	-20°C to 60°C (-4°F to 140°F)
Protection Class	IP67M
Feedback Options	Hall Effect (see page 6)
Safety Feature	Over Current Protection Optional (see page 6)
Certifications	CE
Mounting Brackets	See Page 7
Mounting Ends	Customizable

Dimensions



Hole to Hole		Stroke	2	4	6	8	10	12	14	16	18	20	22	24
PA-06	A	9.87	11.87	13.87	15.87	17.87	19.87	21.87	23.87	26.50	28.50	30.50	32.50	
	B	11.87	15.87	19.87	23.87	27.87	31.87	35.87	39.87	44.50	48.50	52.50	56.50	

For Stroke Length 2"-16"

A = Stroke Length + 7.87"

B = Stroke Length x 2 + 7.87"

For All Stroke Lengths with Hall Effect Sensor or Over Current Protection

A = Stroke Length + 8.65"

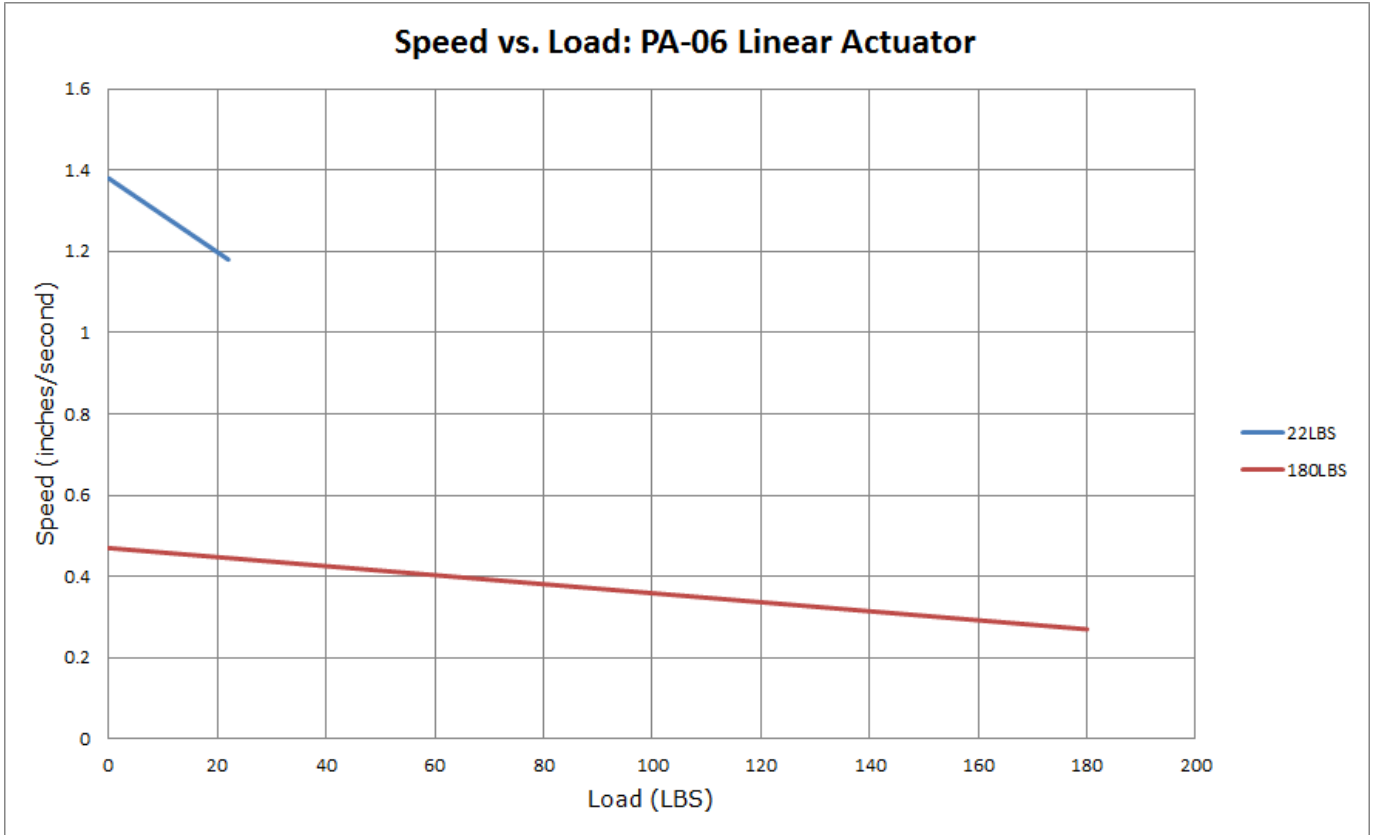
B = Stroke Length x 2 + 8.65"

For Stroke Length 18"-24"

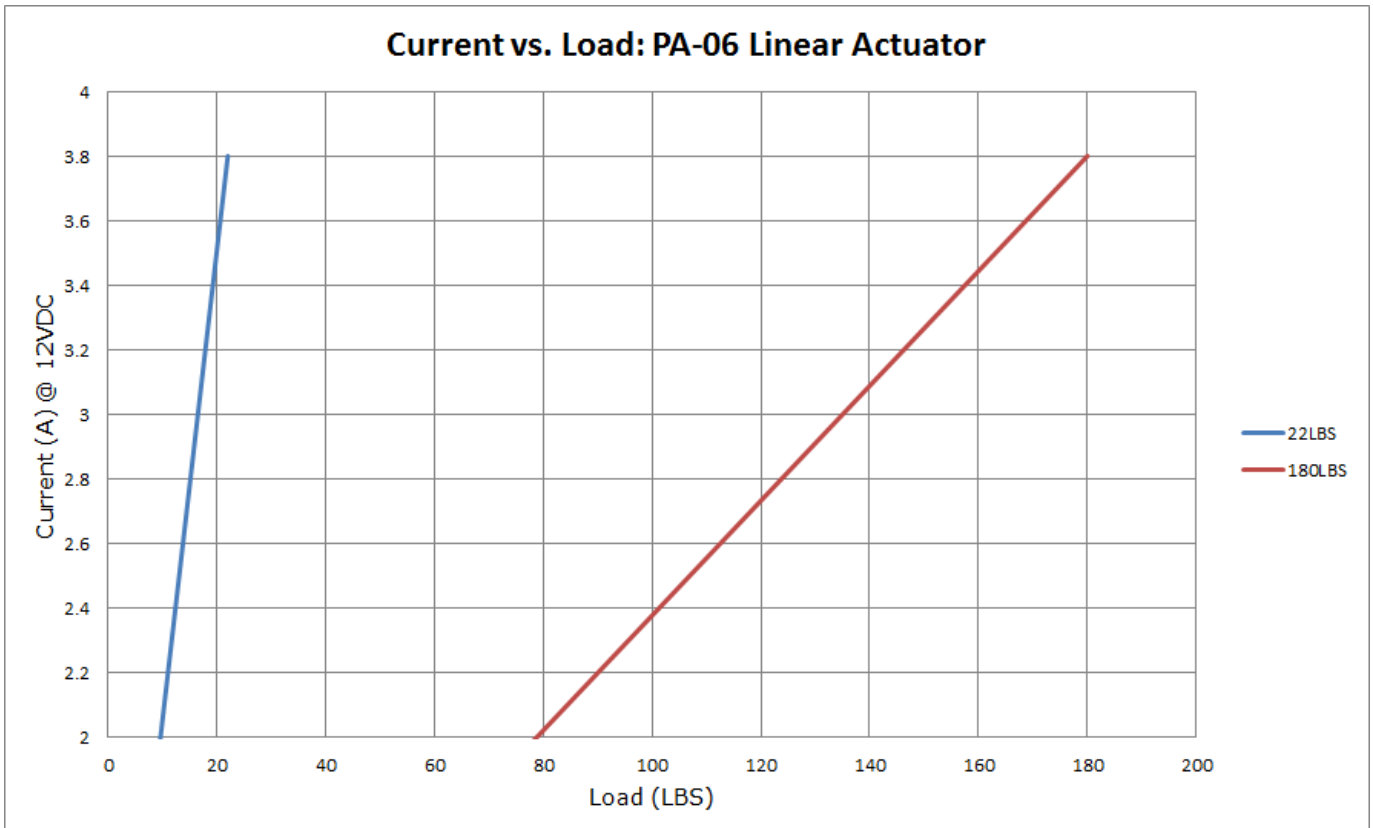
A = Stroke Length + 8.50"

B = Stroke Length x 2 + 8.50"

Speed vs Load

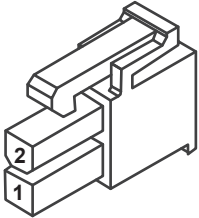


Current vs Load



Connectors & Feedback

2-Pin Connector (Standard)

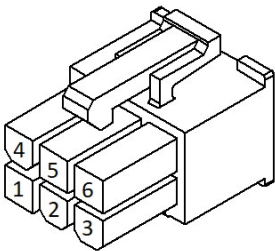


Motor	
1	2
M- (Retract)	M+ (Extend)

Component	Part Name	Part Number	Mating Part Number
Housing	Molex Mini Fit Jr 2-Pin Receptacle	39-01-2025	39-01-3029/ 39-01-2026
Terminal	Molex Mini-Fit Jr. Female Terminal	39-00-0038	39-00-0040

6-Pin Hall Effect Connector

*For Stroke Length 2-24"



Hall Sensor				Motor	
1	2	3	6	4	5
Signal 2 Leads when Extending	GND	+5VDC	Signal 1 Leads when Retracting	M- (Retract)	M+ (Extend)

Component	Part Name	Part Number	Mating Part Number
Housing	Molex Mini Fit Jr 6-Pin Receptacle	39-01-2065	39-01-2069/ 39-01-2066
Terminal	Molex Mini-Fit Jr. Female Terminal	39-00-0038	39-00-0040

Output Signal Extending		Output Signal Retracting	
Hall Effect 1 Signal		Hall Effect 1 Signal	
Hall Effect 2 Signal		Hall Effect 2 Signal	

Force (lbs)	Resolution (pulses/inch)
22	1,953
180	5,521

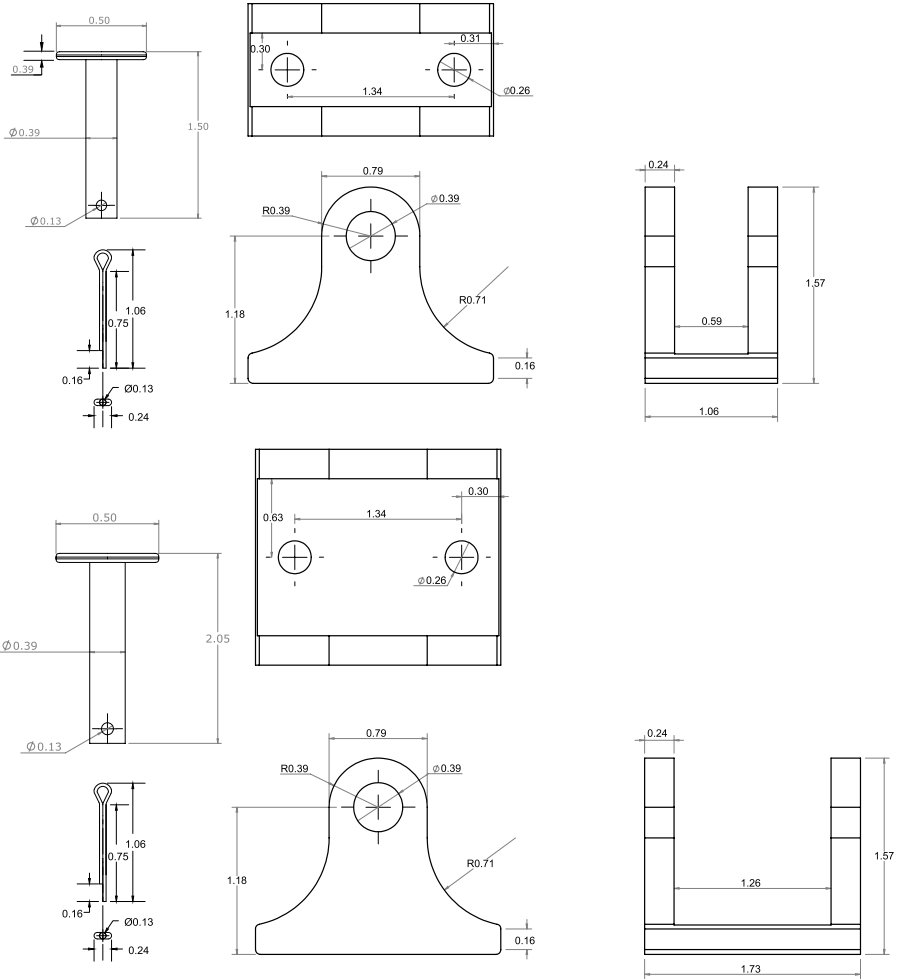
Over Current Protection

	Cut Off Current
12VDC	5.0A - 5.5A
24VDC	2.5A - 3.0A

Mounting Brackets

(Dimensions in inches)

BRK-06



BRK-16

